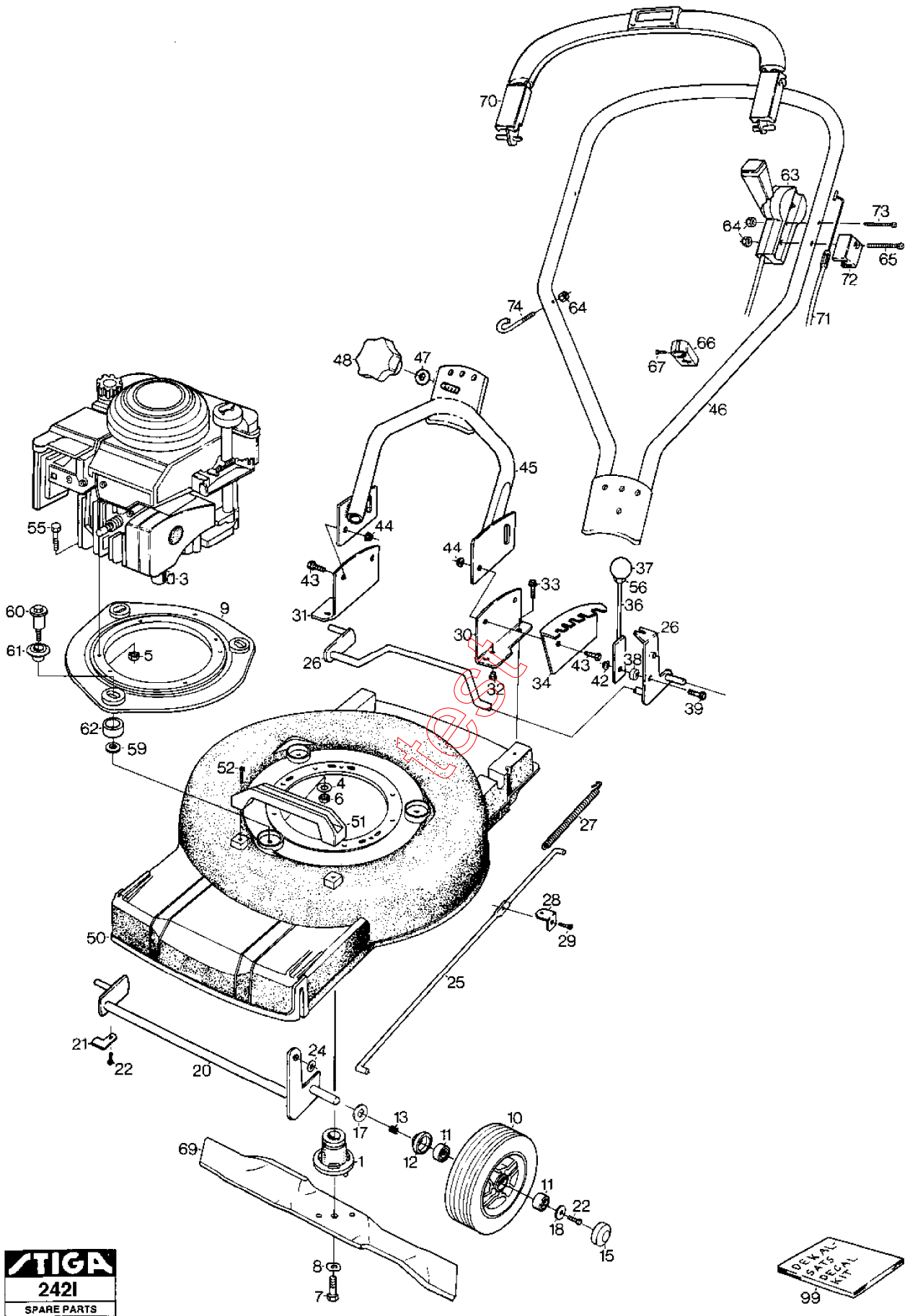


†



Section: MULTICLIP PRO 48

Pos.	Quantity	Spare part No	Description	Kit	Notes	New
	8303					
1	1	1111-9070-01	Blade holder			
3	1	9600-0014-00	Key			
4	3	9699-0056-02	Flat washer			
5	3	9799-0831-02	Nut			
6	3	9747-0831-02	Lock nut			
7	1	9987-5251-12	Screw			
8	1	9696-0011-01	Washer			
9	1	1111-2460-01	Engine mounting			
10	4	1111-0817-04	Wheel w/o bearing			
11	8	9549-0015-00	Ball bearing			
12	4	1111-0466-00	Seal grease			
13	4	1111-3060-01	Spring			
15	4	1111-1506-01	Hub cap			
17	4	9699-0037-02	Washer			
18	4	9699-0100-02	Washer			
20	1	1111-3082-01	Front axle			
21	2	1111-1504-01	Retainer			
22	6	9943-0612-16	Screw			
24	2	9675-0012-02	Locking washer			
25	1	1111-1829-01	Rod			
26	1	1111-3080-01	Rear axle			
27	1	1111-1842-01	Spring			
28	1	1111-1844-01	Holder			
29	1	9943-0510-16	Screw			
30	1	1111-1483-01	Handle attachm.-LH			
31	1	1111-1484-01	Handle attachm.-RH			
32	2	1111-1485-01	Plug			
33	4	9942-0820-16	Screw			
34	1	1111-1500-01	Adjusting plate			
36	1	1111-1839-01	Lever			
37	1	9403-0036-70	Lever knob			
38	1	1111-1519-02	Spacer			
39	1	9997-0830-16	Screw			
42	1	9739-0831-22	Nut			
43	4	9959-0816-16	Screw			
44	4	9799-0831-02	Nut			
45	1	1111-2134-01	Handlebar-lower par			
46	1	1111-2974-01	Handlebar-upper par			
47	1	9699-0035-02	Flat washer			
48	1	1482-0163-01	Locking knob			
50	1	1111-2456-01	Chassis-yellow			
51	1	9403-0037-70	Lifting handle-blac			
52	2	9943-0516-16	Screw			
55	3	9997-0835-12	Screw		L = 35 mm	
56	1	9799-0831-02	Nut			
59	3	9699-0062-02	Flat washer			
60	3	1111-2454-01	Shoulder bolt			
61	3	1111-2453-01	Grommet			
62	3	1111-2452-01	Rubber damper			
63	1	1111-3253-01	Throttle control			
64	3	9747-0631-02	Lock nut			
65	1	9948-0660-16	Screw		L = 60 mm	
66	1	1111-2018-01	Cable holder			
67	1	9836-9216-12	Screw			
69	1	1111-9075-01	Blade			
70	1	1111-2953-01	Control handle			
71	1	1111-2968-01	Engine brake cable			
72	1	1111-2969-01	Cable attachment			
73	1	9948-0645-16	Screw		L = 45 mm	
74	1	1111-3063-01	Eye link			
99	1	1111-2893-03	Decal kit			